

# INDUSTRIAL

NOTE

## SITE LIGHT

### Head Office

Tel:+86-571-87114761

Fax:+86-571-87114571

Email: [sales@lucoh.com](mailto:sales@lucoh.com)

Office:Rm.,1202,A2 BLDG.,Qimeng High-TechPark, 1899  
Gudun Rd.,Yuhang,Hangzhou,Zhejiang,China 311100.

<http://www.lucoh.com>

Factory Add1:No.5-1, Lingyun Road, Sandu Industrial park,  
Sandu Town, Jiande City, China.

Factory Add2:Chalu Industry Park Ninghai, Ningbo City,China.

**SALUTE THE WORKERS WHO WORK IN THE DARK**

ODM&OEM Cooperation welcomed

More Than 10 Years Experience For Rechargeable LED Lighting Products

**LUCOH**

# LUCOH®



LUCOH is a leading manufacturer and supplier of portable battery industrial light, solar street light and etc. In the past 10 years, LUCOH has been providing the very best products at the most challenging job-sites. And we have built our reputation on providing customers with safe, reliable and dependable lighting in the high demanding applications.

As LUCOH is famous for the portable battery industrial lighting brand in EU, Japan and North U.S market. At 2021, We removed some products line from LUCOH, such as solar lighting system, industrial light, street light, portable power and intelligent lighting system and create a new brand of SOLARACE. And also built a new factory cover 30,000 square meters in Ningbo area to enlarge our facility. We think with the effort with our business partner, SOLARACE also will be professional brand for solar system, portable power, home storage power and intelligent lighting and power system in the future.

TEL:+86-571-87114761  
FAX:+86-571-87114571  
E-mail:sales@lucoh.com  
Web:www.lucoh.com

## COMPANY INTRODUCTION

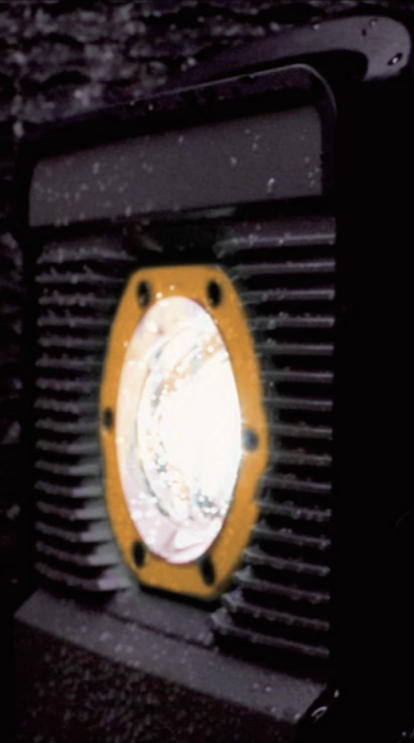


# COMPANY INTRODUCTION



# VORTEX

## NEW PRODUCT

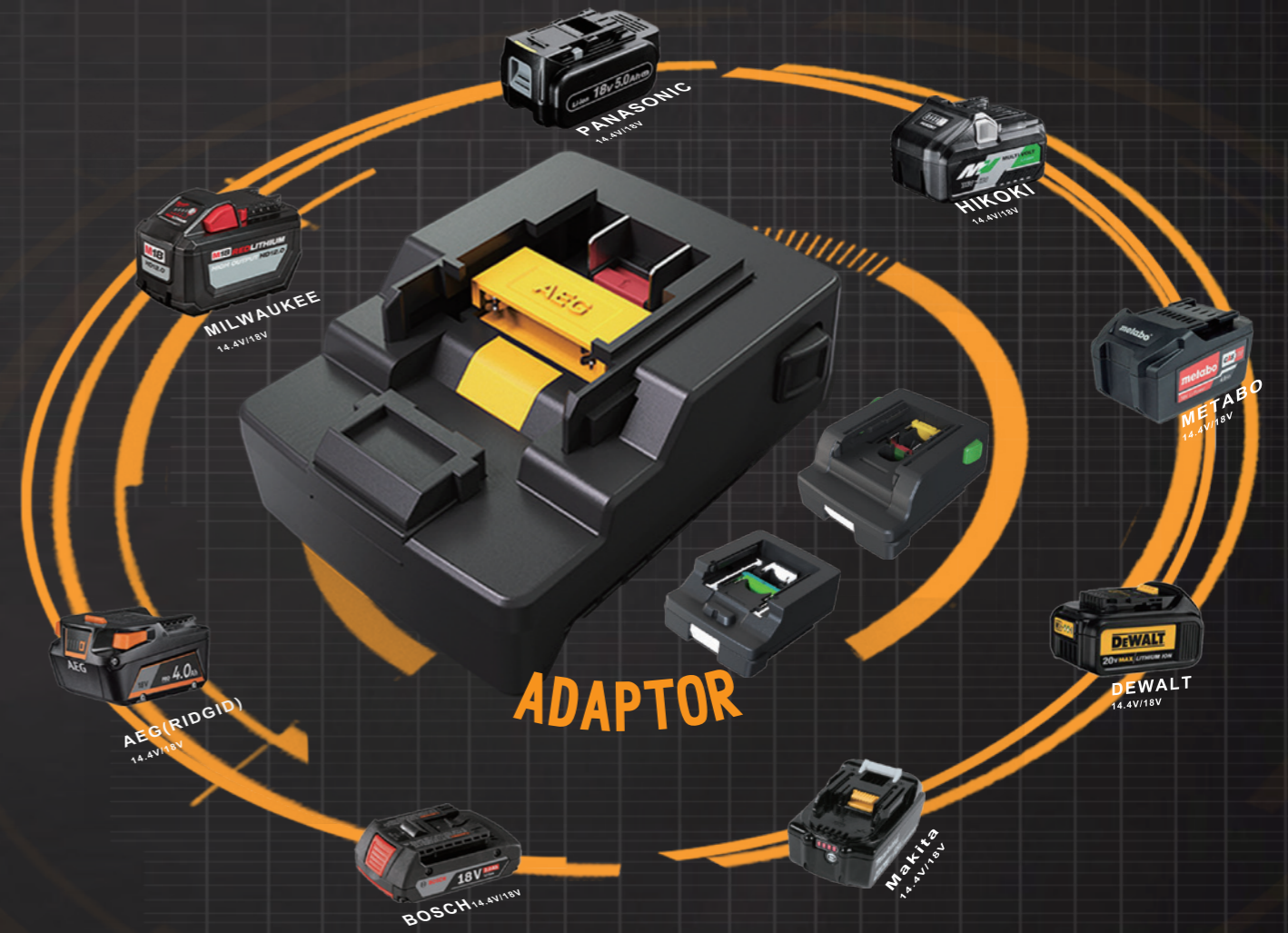


# BAYMAX

# G2040/2040



# TRANSFORM ADAPTOR



Multi-Adaptor

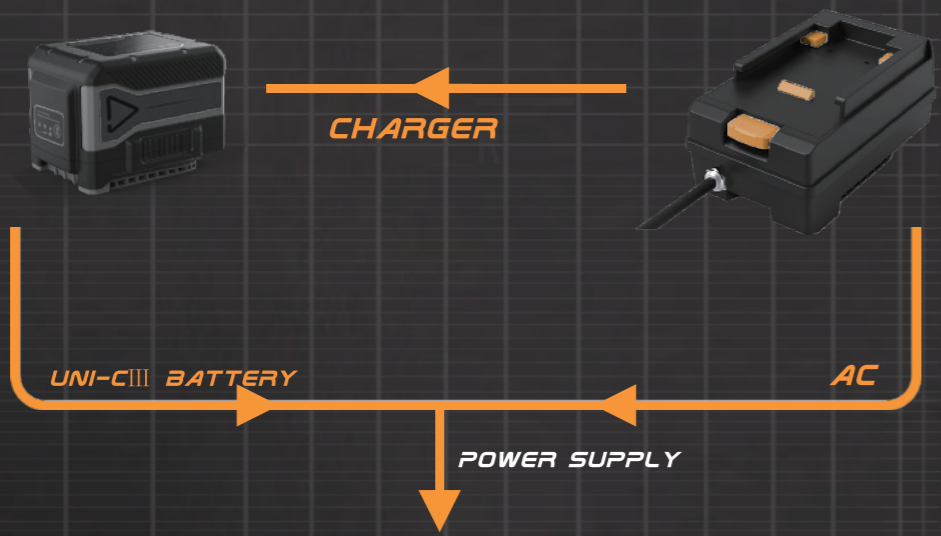
Matching Battery



# LUCOH

www.lucloh.com  
+86-571-87114761

# UNI-C III BATTERY SYSTEM



## VORTEX



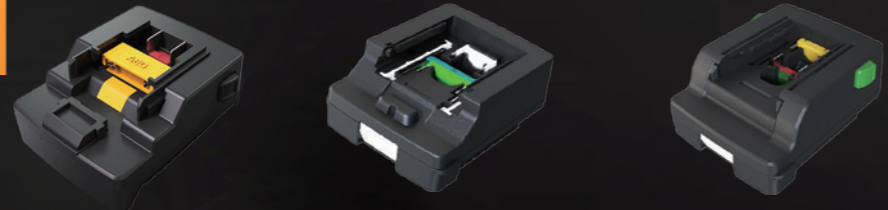
## BAYMAX



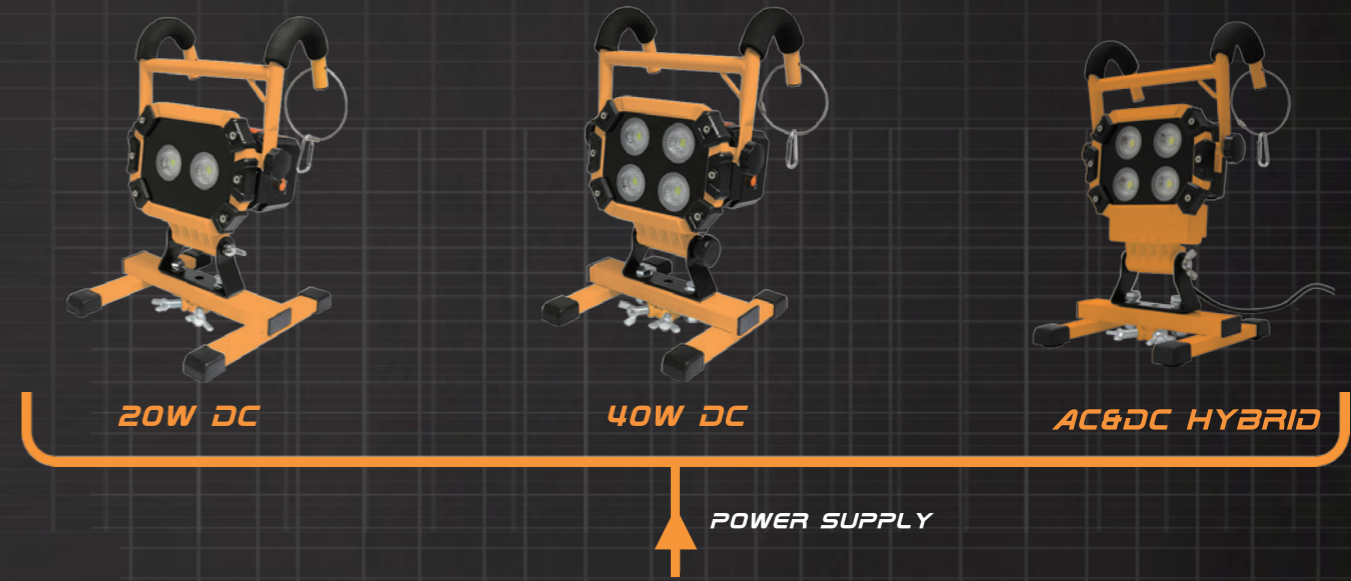
## VOLT (UNDER DEVELOPING)



UNI-C III ADAPTOR  
CAN BE POWERED BY 9 BRANDS OF TOOL BATTERIES.



# UNI-C II BATTERY SYSTEM



## UNI-C II BATTERY



=



**VORTEX**





**40W**



**80W**

**VORTEX-80W**

- P** 80W
- L** 10000LM
- IP** IP65

**VORTEX-40W**

- P** 40W
- L** 5000LM
- IP** IP65

**SIZE**  
80W:267\*147\*360mm  
40W:267\*147\*291mm

**RA**  
>80

**USB OUTPUT**  
5V,2A

**BATTERY**  
19.2V 6.0Ah LiFePO4

**CHARGING TIME**  
1.5-2H(21.6V 4A AC pack)

**WORKING MODE**  
20%-40%-60%-80%-100%  
Switch:ON/OFF

**WORKING TIME**  
80W:1-2H(100%)  
8-9H(20%)  
40W:3-4H(100%)  
13-14H(20%)

**MATERIAL**  
Cast aluminium/PC/ABS

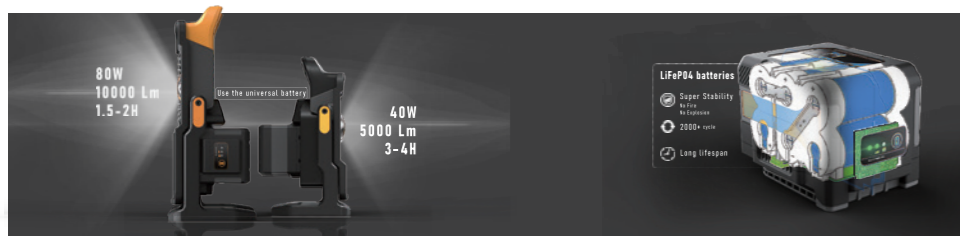
**CCT**  
4000K(Optional)

**BEAM ANGLE**  
120degree

**Hook & Tripod**



**AC pack**



**VORTEX-20W**

- P** 20W
- L** 2200LM
- IP** IP65(WITHOUT TOOL BATTERY)

**POWER SUPPLY**  
7 Brands Tool Batteries Available  
or AC supply

**USB OUTPUT**  
Max 5V,1A

**WORKING MODE**  
25%-50%-100%-OFF

**CCT**  
4000K(Optional)

**RA**  
70

**BEAM ANGLE**  
60degree

**ADAPTOR**  
Input: AC 100-240V Output: DC 12V 2A

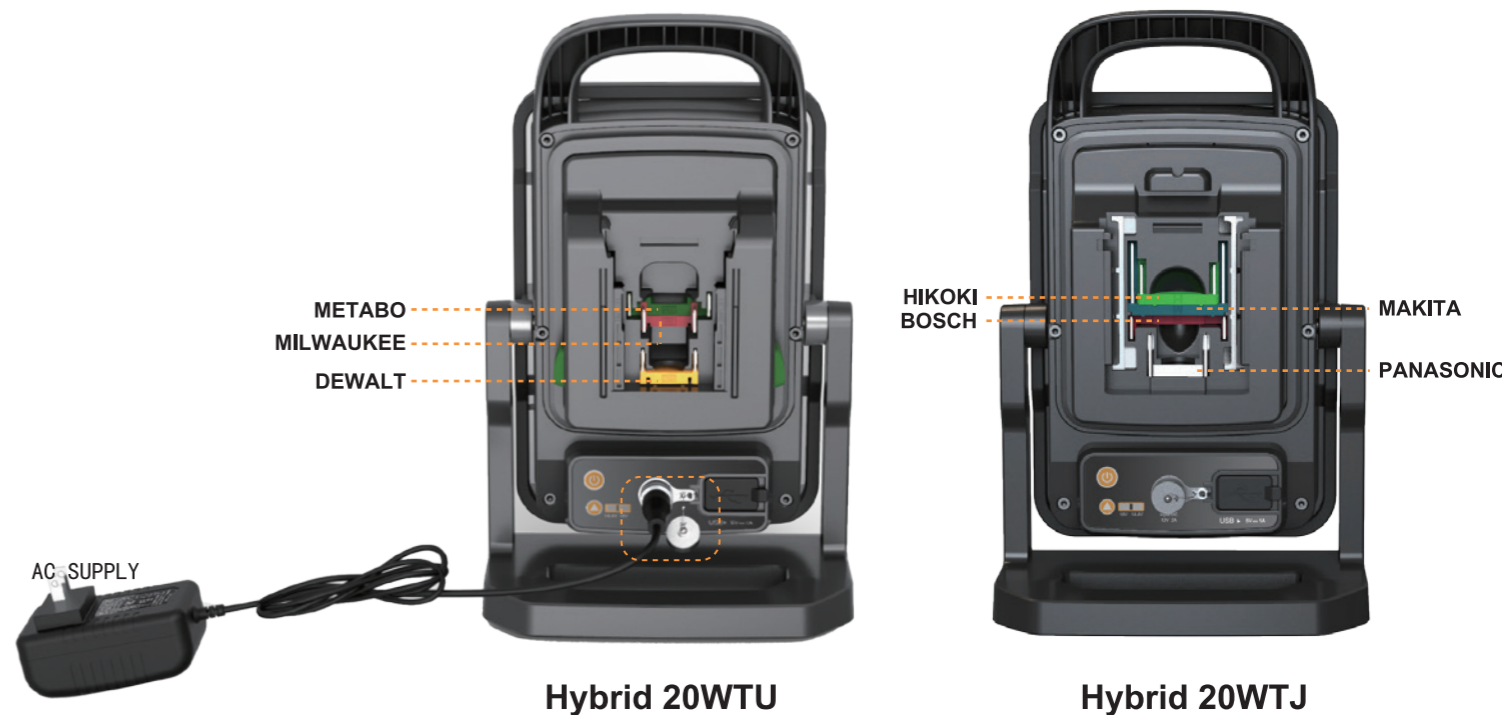


**HOOK**

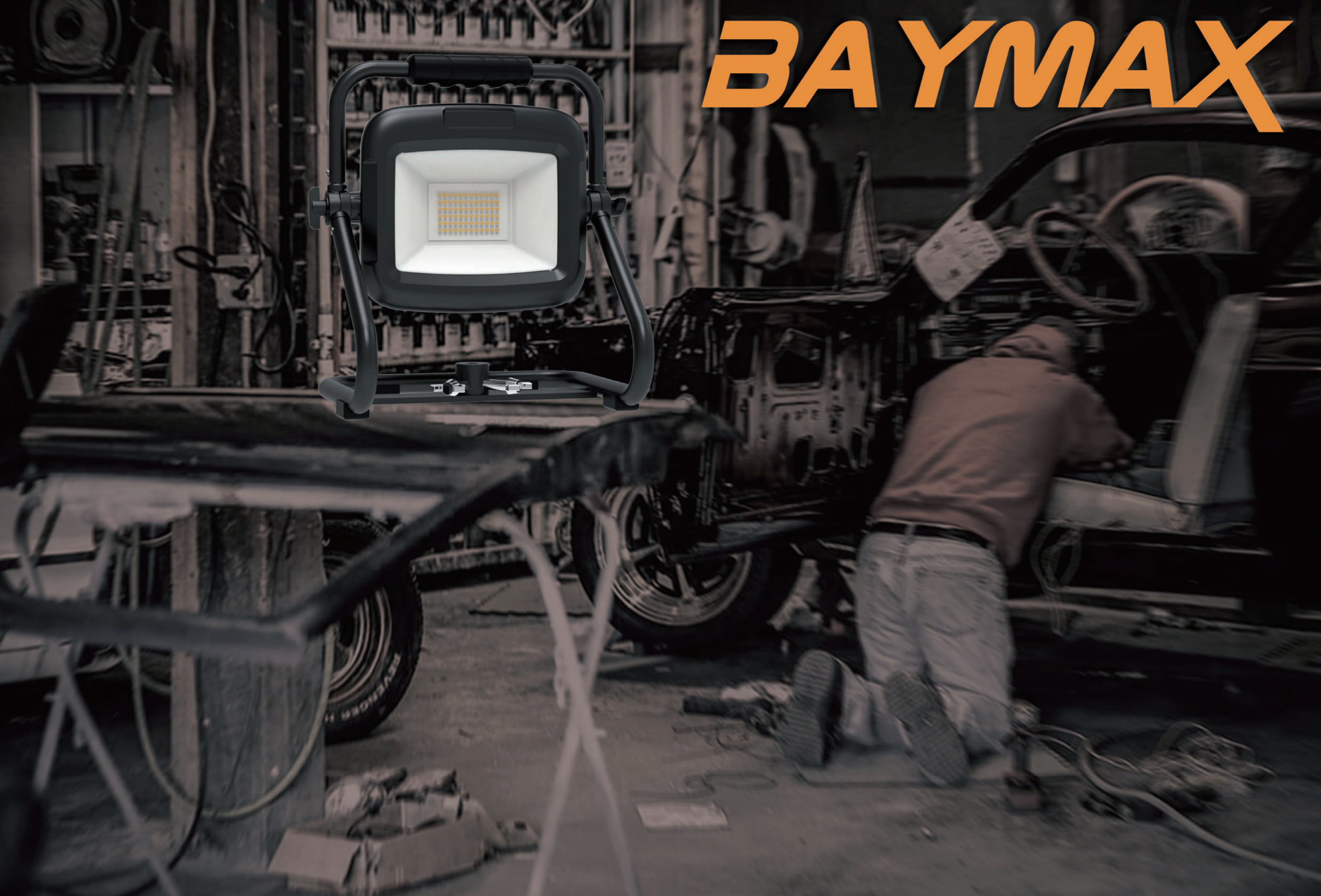


**MAGENT**

**7 Brands Tool Batteries Available(14.4V/18V):**



# BAYMAX





**60W**

**30W**



**DETACHABLE-30W**

30W   
5000LM   
IP65

**DETACHABLE-60W**

60W   
8000LM   
IP65

**FIXED-30W**

30W   
5000LM   
IP65

**FIXED-60W**

60W   
9000LM   
IP65

**60W**

**30W**



**BACK**



**DETACHABLE BATTERY**



**BACK**



**FIXED BATTERY**

**Feature**



**AC pack**



**SIZE**  
30W:312x230x334mm  
60W:312x230x334mm

**RA**  
>70

**WORKING MODE**  
100%-50%-OFF

**MATERIAL**  
ABS&Cast aluminium

**CCT**  
6000K(Optional)

**BEAM ANGLE**  
120 degree

**BATTERY CAPACITY**  
19.2V,6000mAh 115.2Wh/  
LiFePO4 battery

**CHARGING TIME**  
1.5-2H(21.6V 4A AC pack)

**WORKING TIME**  
30W:4-5H(100%)/7-8H(50%)  
60W:2-3H(100%)/5-6H(50%)

**SIZE**  
30W:312x230x334mm  
60W:312x230x334mm

**RA**  
>70

**WORKING MODE**  
100%-50%-OFF

**MATERIAL**  
ABS&Cast aluminium

**CCT**  
6000K(Optional)

**BEAM ANGLE**  
120 degree

**BATTERY CAPACITY**  
30W:12.8V 16Ah 205Wh  
60W:12.8V 20Ah 256Wh

**CHARGING TIME**  
30W: 5-6H  
60W:9-10H

**WORKING TIME**  
30W:8H(100%)  
60W:6H(100%)

**Feature**

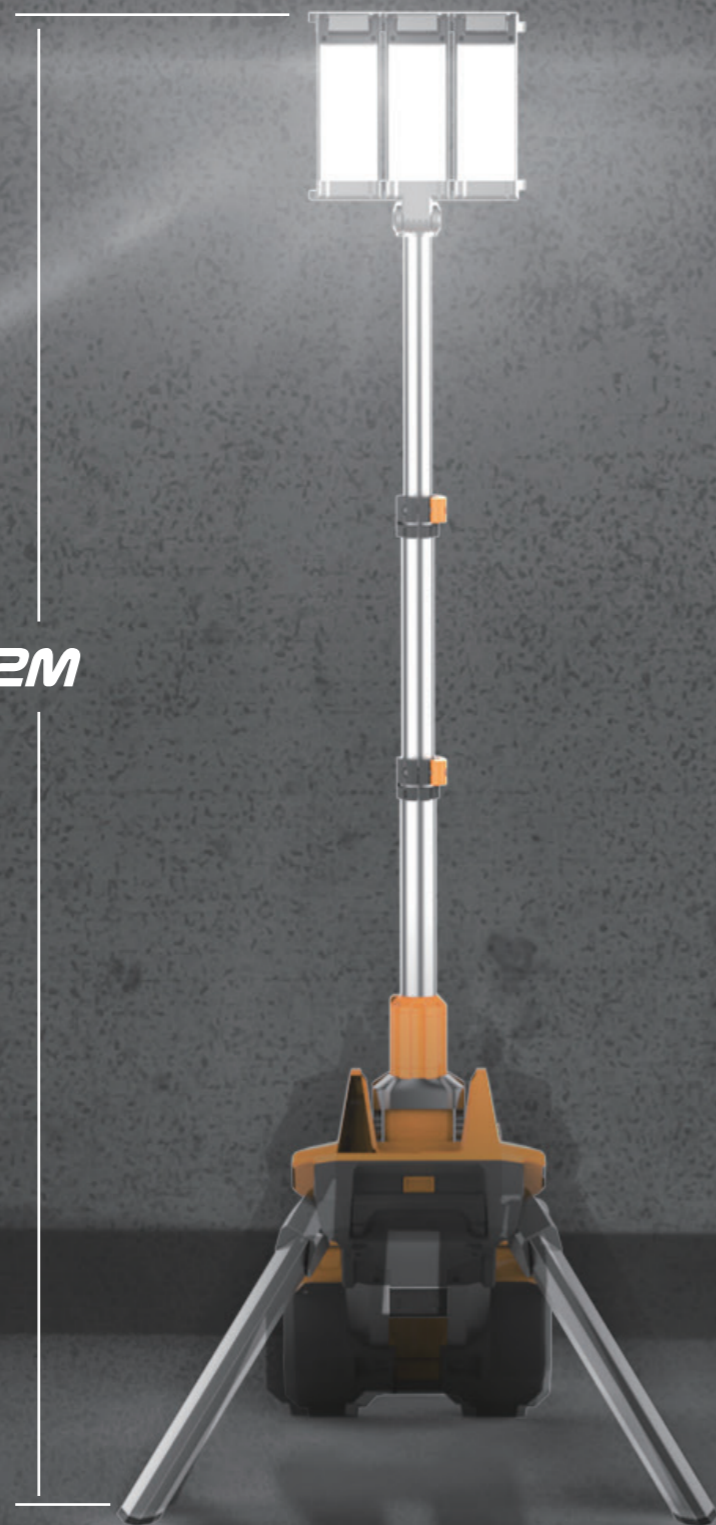


# VOLT

360° SITE LIGHT



2M



## VOLT-90W

**P** 3X30W

**L** 12000-15000LM

**IP** IP65

**RA**

70

**USB OUTPUT**

5V,2A

**BATTERY**

1/battery:19.2V 6000mAh 115.2Wh  
LiFePO4

**CHARGING TIME**

1/battery:1.5-2H(21.6V 4A)

**WORKING MODE**

ON/OFF, 25%-50%-75%-100%

**WORKING TIME**

AC Pack/

Two batteries:2-2.5H(100%)

**CCT**

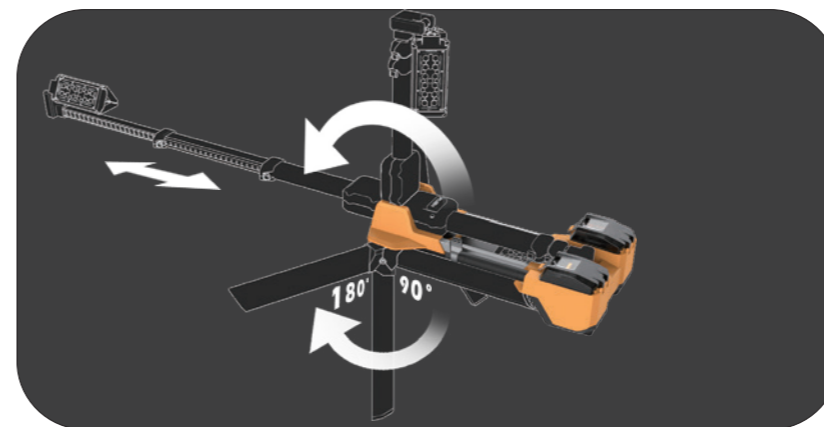
5000K(optional)

**BEAM ANGLE**

120°

**SIZE**

711\*351\*220mm(stored),  
High:2m(use)



## ADJUSTABLE ILLUMINATION ANGLE



# SERIES 2040



## 2040 SERIES

### L10-2040-40W

- Ⓟ 40W
- 💡 4000LM
- 🛡️ IP65
- 🔋 4 H/BATTERY
- 🔋 4 H/BATTERY, 7-8H/2\* BATTERIES

#### SIZE & WEIGHT

234.5\*178.5\*284.08mm & 3885g

#### BEAM ANGLE

60 Degree

#### CCT

Optional

#### ACCESSORY

AC 100-240V input, DC 25.2V, 2A output charger

#### BATTERY

1or 2 batteries  
(capacity of each battery: 22.2V ,4.4Ah or 5.2Ah)

#### WORKING MODE

100%-50%-off

#### BATTERY INDICATOR

5 levels indicator  
green/green/green/amber/red

#### BATTERY PROTECTION

over-charging and over-discharging protection and high temperature protection(70 °C).



### L10-2040-20W

- Ⓟ 20W
- 💡 2000LM
- 🛡️ IP65
- 🔋 4 H/BATTERY
- 🔋 8H/BATTERY, 15-16H/2\* BATTERIES

#### SIZE & WEIGHT

234.5\*178.5\*284mm & 3885g

#### BEAM ANGLE

60 Degree

#### CCT

Optional

#### ACCESSORY

AC 100-240V input, DC 25.2V, 2A output charger

#### BATTERY

1or 2 batteries  
(capacity of each battery 22.2V ,4.4Ah or 5.2Ah)

#### WORKING MODE

100%-50%-off

#### BATTERY INDICATOR

5 levels indicator  
green/green/green/amber/red

#### BATTERY PROTECTION

over-charging and over-discharging protection and high temperature protection(70 °C).



# SERIES G2040

## G2040 SERIES

### L10-G2040-40W

- 40W
- 4000LM
- IP65
- 4 H/BATTERY
- 3-4H

#### SIZE & WEIGHT

232\*212\*365mm & 3110g

#### BEAM ANGLE

60 Degree

#### CCT

Optional

#### ACCESSORY

AC 100-240V input,DC 25.2V,2A output charger

#### BATTERY

capacity of each battery: 22.2V ,4.4Ah or 5.2Ah

#### WORKING MODE

100%-50%-off

#### BATTERY INDICATOR

5 levels indicator  
green/green/green/amber/red

#### BATTERY PROTECTION

over-charging and over-discharging protection and high temperature protection(70 ℃).



### L10-G2040-20W

- 20W
- 2000LM
- IP65
- 4 H/BATTERY
- 7.5H/BATTERY

#### SIZE & WEIGHT

232\*212\*365mm & 3110g

#### BEAM ANGLE

60 Degree

#### CCT

Optional

#### ACCESSORY

AC 100-240V input,DC 25.2V,2A output charger

#### BATTERY

capacity of each battery: 22.2V ,4.4Ah or 5.2Ah

#### WORKING MODE

100%-50%-off

#### BATTERY INDICATOR

5 levels indicator  
green/green/green/amber/red

#### BATTERY PROTECTION

over-charging and over-discharging protection and high temperature protection(70 ℃).



# AC&DC HYBRID

## AC&DC HYBRID

### L10-HBD2040-40W

Ⓟ 40W

IP65

**SIZE & WEIGHT**  
235\*179\*284mm & 3500g

**INPUT VOLTAGE**  
100-240V,50/60HZ

**LUMEN**  
5000lm

| RA | CCT      | PF   |
|----|----------|------|
| 70 | Optional | >0.9 |

**WORKING MODE**  
plug-in:on / plug-out:off

**SURGE PROTECTION**  
1KV-2KV

**DC (OPTIONAL)**  
Lumen:5000lm  
Power supply:  
Battery OR No battery but multi-adapter  
(TJ-41 TU-31) for power tools battery  
Working Mode:100%-50%-off



Battery



TJ-41



TU-31

### L10-HBDG2040-40W

Ⓟ 40W

IP65

**SIZE & WEIGHT**  
232\*212\*365 mm & 3800g

**INPUT VOLTAGE**  
100-240V,50/60HZ

**LUMEN**  
5000lm

| RA | CCT      | PF   |
|----|----------|------|
| 70 | Optional | >0.9 |

**WORKING MODE**  
plug-in:on / plug-out:off

**SURGE PROTECTION**  
1KV/2KV

**DC (OPTIONAL)**  
Lumen:5000lm  
Power supply:  
Battery OR No battery but multi-adapter  
(TJ-41 TU-31) for power tools battery  
Working Mode:100%-50%-off



Battery



TJ-41



TU-31

# 360 PRO AREA SITE LIGHT



## 360 SITE LIGHT

### L13-2002

- P** 45W
- 💡** 6000LM
- IP** IP65
- 🕒** 4H
- 🔋** 4H(FULL POWER)

**SIZE&WEIGHT**  
170\*170\*277mm,3600g

**RA**  
70

**BATTERY**  
14.8V 10.4Ah

**MATERIAL**  
Cast aluminium

**CCT**  
Optional  
**WORKING MODE**  
100%-50%-15%-OFF





## L13-2003

- 15W
- 2000LM
- IP65
- 4-5H
- 3H(FULL POWER)

**SIZE**  
φ94X299mm  
**BATTERY**  
7.2V 4.5AH Li-ion battery  
**WORKING MODE/(WORKING TIME)**  
4 side light & top light/(3H)  
4 side light& top light half power/(5-6H)  
1 side light only/(12H)  
top light/(12H)  
**CCT**  
5000K-6000K(optional)  
**ACCESSORY**  
AC100-240V input,DC12V,1A output adaptor

**Magnet&hook**  
magnet&hook on the bottom.  
**PC handle with rubber cover&rubber ring**  
Shockproof.  
**Power indicator**



# PROTABLE TASK LIGHT





**L01-2008C-W**

- 5W
- 600LM
- IP44
- 4-5H(5V,1A)
- HIGH:3H/LOW:6H

**SIZE & WEIGHT**

φ 82\*65mm & 267g

**BEAM ANGLE**

60 Degree

CCT RA

Optional 70

**ACCESSORY**

USB cable

**BATTERY**

3.7V ,4000mAh

**WORKING MODE**

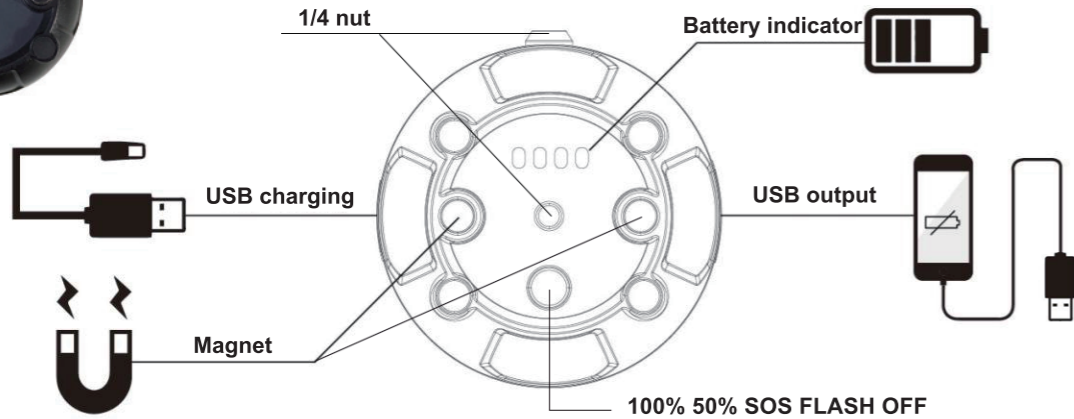
HIGH-LOW-SOS-FLASH-OFF

**BATTERY INDICATOR**

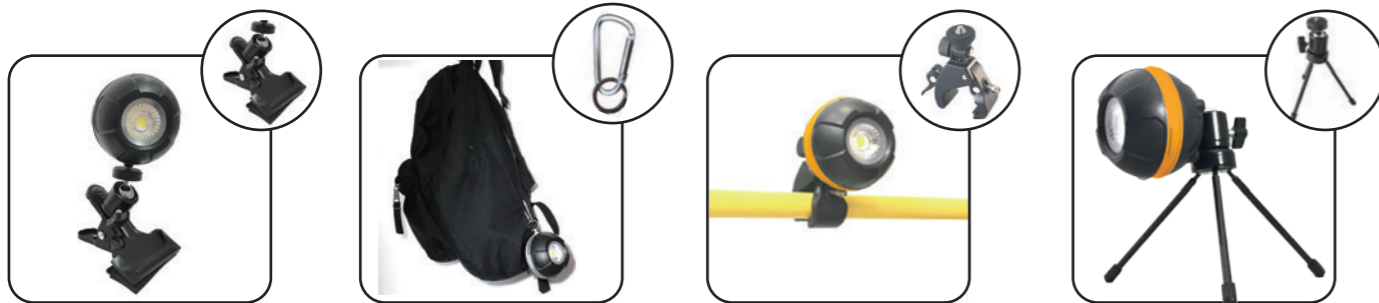
With 4pcs battery indicators

**BATTERY PROTECTION**

Over-charging and over-discharging protection



**Optional**



**L01-2009C-W**

- 5W
- 600LM
- 5-6H(5V,1A)
- HIGH:3H/LOW:6H
- IP44

**SIZE& WEIGHT**

φ 89\*106.5mm, 420g(magnetic base included)

**BEAM ANGLE**

60 Degree

**BATTERY**

3.7V 4000mAh

**RA**

>70

**CCT**

Optional

**WORKING MODE**

HIGH-LOW-SOS-OFF

**ACCESSORY**

USB cable

**BATTERY PROTECTION**

Over-discharging protection and over-charging protection



Rubber ring (Fluorescence)



USB



Magnet & Hook

